

STACKERS

The Compact Stacker

This compact truck fitted with MOSFET technology provides the perfect solution where space is at a premium. These versions are fitted with gel batteries that will not possibly lose any battery fluid – meaning that no maintenance is necessary and suitable for all applications where high hygienic standards are required (chemical, pharmaceutical and food & beverage industries).

Batteries and battery charger built in

Available with a double fork lifting command



12 months warranty

Tiller handle and controls

- Large butterfly control allows accurate speed and direction control.
- Battery discharge indicator.
- Safety button and horn are located on the top of the tiller head
- Handle bar made of cubic iron sheet. The strong and easily removable plastic cover allows simple access to the inside parts for easier maintenance.



In case of low battery power, the control system prevents lifting but allows movement.

Battery



Traction battery

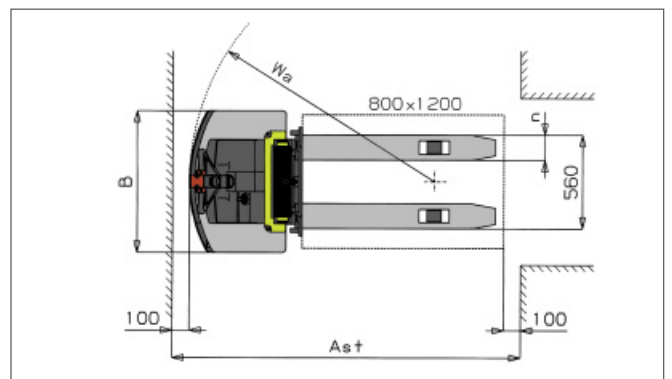
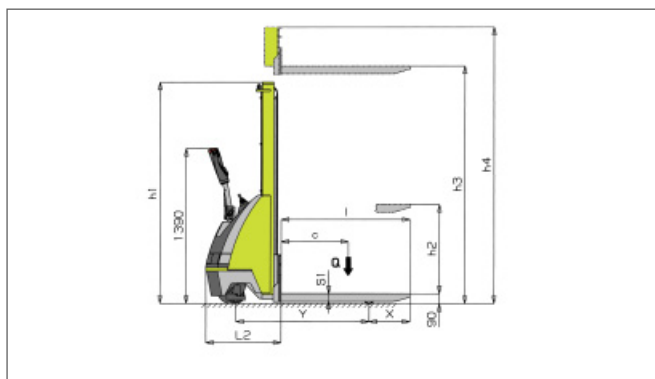
The Plus and Gel versions have a powerful 132Ah battery for better endurance.

CODE			HC010000	HC310000	HC410000	HC010300	HC310300	HC410300	HC512000	HC612000	HC712000	HC512100	HC612100	HC712100	HC512300	HC612300	HC712300	
CODE UK			HC010700	HC310700	HC410700	HC010900	HC310900	HC410900	HC512700	HC612700	HC712700	HC512800	HC612800	HC712800	HC512900	HC612900	HC712900	
MODEL			GX 10/09	GX 10/16	GX 10/20	GX 10/09 GEL	GX 10/16 GEL	GX 10/20 GEL	GX 12/25	GX 12/29	GX 12/35	GX 12/25 PLUS	GX 12/29 PLUS	GX 12/35 PLUS	GX 12/25 GEL	GX 12/29 GEL	GX 12/35 GEL	
CAPACITY	Q	Nominal load	Kg	1000	1000	1000	1000	1000	1000	1200	1200	1200	1200	1200	1200	1200	1200	
CENTER OF GRAVITY	C	Distance	mm	600	600	600	600	600	600	600	600	600	600	600	600	600	600	
DRIVING SYSTEM		Escort		●	●	●	●	●	●	●	●	●	●	●	●	●	●	
DIMENSIONS																		
ELEVATION	h3	Elevation	mm	900	1600	2000	900	1600	2000	2500	2900	3500	2500	2900	3500	2500	2900	3500
	h2	Normal free elevation	mm	810	1510	1910	810	1510	1910	-	-	80	-	-	80	-	-	80
LENGTH	l	Fork length	mm	1150	1150	1150	1150	1150	1150	1150	1150	1150	1150	1150	1150	1150	1150	1150
	nxS1	Fork width x thickness	mm	150X70	150X70	150X70	150X70	150X70	150X70	150X70	150X70	150X70	150X70	150X70	150X70	150X70	150X70	150X70
DIMENSIONS	L	Total length	mm	1825	1825	1825	1825	1825	1825	1825	1825	1825	1825	1825	1825	1825	1825	1825
	L2	Steer unit length	mm	675	675	675	675	675	675	675	675	675	675	675	675	675	675	675
	B	Width	mm	850	850	850	850	850	850	850	850	850	850	850	850	850	850	850
	h1	Minimum dimensions	mm	1300	1970	2370	1300	1970	2370	1780	1980	2250	1780	1980	2250	1780	1980	2250
	h4	Maximum dimensions	mm	1300	1970	2370	1300	1970	2370	2985	3385	3915	2985	3385	3915	2985	3385	3915
TURNINGS RADIUS	Wa		mm	1460	1460	1460	1460	1460	1460	1460	1460	1460	1460	1460	1460	1460	1460	1460
STORAGE PASSAGE	Ast	800x1200	mm	2075	2075	2075	2075	2075	2075	2075	2075	2075	2075	2075	2075	2075	2075	2075
PERFORMANCES																		
SPEED		Translation with/without load	km/h	4,0/5,0	4,0/5,0	4,0/5,0	4,0/5,0	4,0/5,0	4,0/5,0	4,0/5,0	4,0/5,0	4,0/5,0	4,0/5,0	4,0/5,0	4,0/5,0	4,0/5,0	4,0/5,0	4,0/5,0
		Lifting with/without load	m/s	0,09/0,12	0,09/0,12	0,09/0,12	0,09/0,12	0,09/0,12	0,09/0,12	0,07/0,10	0,07/0,10	0,07/0,10	0,07/0,10	0,07/0,10	0,07/0,10	0,07/0,10	0,07/0,10	0,07/0,10
		Descent with/without load	m/s	0,4/0,1	0,4/0,1	0,4/0,1	0,4/0,1	0,4/0,1	0,4/0,1	0,4/0,1	0,4/0,1	0,4/0,1	0,4/0,1	0,4/0,1	0,4/0,1	0,4/0,1	0,4/0,1	0,4/0,1
MAX SUPERABLE GRADIENT		With/without load	%	5/10	5/10	5/10	5/10	5/10	5/10	5/10	5/10	5/10	5/10	5/10	5/10	5/10	5/10	5/10
WEIGHTS																		
EMPTY WEIGHT		With battery	kg	369	390	410	393	414	434	490	505	540	524	539	574	526	541	576
AXLE LOADING		With load (driver/load)	kg	427/942	442/948	456/954	441/952	456/958	470/964	549/1141	563/1142	589/1151	573/1151	587/1152	613/1161	571/1155	585/1156	611/1165
		Without load (driver/load)	kg	272/97	287/103	301/109	286/107	301/113	315/119	362/128	376/129	402/138	386/138	400/139	426/148	384/142	398/143	424/152
FRAME																		
WHEELS		Driver side/load	Nr	2+1 M/2	2+1 M/2	2+1 M/2	2+1 M/2	2+1 M/2	2+1 M/2	2+1 M/2	2+1 M/2	2+1 M/2	2+1 M/2	2+1 M/2	2+1 M/2	2+1 M/2	2+1 M/2	2+1 M/2
TYRES		Driver side/load		P+G/P	P+G/P	P+G/P	P+G/P	P+G/P	P+G/P	P+G/P	P+G/P	P+G/P	P+G/P	P+G/P	P+G/P	P+G/P	P+G/P	P+G/P
		Drive wheel dimensions	mmØ	240X60	240X60	240X60	240X60	240X60	240X60	250X76	250X76	250X76	250X76	250X76	250X76	250X76	250X76	250X76
		Stabilizer wheels dimensions	mmØ	150X40	150X40	150X40	150X40	150X40	150X40	150X40	150X40	150X40	150X40	150X40	150X40	150X40	150X40	150X40
		Load side dimensions	mmØ	82X70	82X70	82X70	82X70	82X70	82X70	82X70	82X70	82X70	82X70	82X70	82X70	82X70	82X70	82X70
WHEELS BASE	Y	Back/Front	mm	1190	1190	1190	1190	1190	1190	1190	1190	1190	1190	1190	1190	1190	1190	1190
	X		mm	365	365	365	365	365	365	365	365	365	365	365	365	365	365	365
OPERATING BRAKE		Electric		●	●	●	●	●	●	●	●	●	●	●	●	●	●	●
ELECTRICAL EQUIPMENT																		
ELECTRIC MOTORS		Traction motor	kW	0,5	0,5	0,5	0,5	0,5	0,5	0,7	0,7	0,7	0,7	0,7	0,7	0,7	0,7	0,7
		Lifting motor	kW	2,2	2,2	2,2	2,2	2,2	2,2	2,2	2,2	2,2	2,2	2,2	2,2	2,2	2,2	2,2
SPEED CONTROL		Electric		●	●	●	●	●	●	●	●	●	●	●	●	●	●	●
BATTERY		Traction(T)/starter (S)	type	S	S	S	T	T	T	S	S	S	T	T	T	T	T	T
		Voltage	V	24	24	24	24	24	24	24	24	24	24	24	24	24	24	24
		Capacity	Ah	74	74	74	70*	70*	70*	92	92	92	110**	110**	110**	100***	100***	100***
		Endurance	h	3	3	3	3	3	3	3	3	3	5	5	5	5	5	5
		Weight	kg	36	36	36	60	60	60	44	44	44	78	78	78	80	80	80
CHARGER		V-A		24-13	24-13	24-13	24-14	24-14	24-14	24-20	24-20	24-20	24-20	24-20	24-20	24-14	24-14	24-14

G=Rubber, P=Polyurethane

* Battery capacity of 90 Ah in 20 hours rating - ** Battery capacity of 132 Ah in 20 hours rating - *** Battery capacity of 125 Ah in 20 hours rating

ACCESSORIES	
POLYURETHANE DRIVING WHEEL RING	
CODE GX 10	HZ000S00004
CODE GX 12	HZ000S00005
DOUBLE LIFTING COMMAND	
CODE	HZ000S00006



The producer reserves the right to introduce changes to models and features without prior notice.